

# LINEA

## 5925UAP050L51-10 LOAD 9002

EAN 4031582411287

Swivel castor with wheel brake, housing made of Polyamide, with blind hole fitting. Wheel centre made of Polyamide, Tread: Polyurethane, precision ball bearing



BETTER MOBILITY. BETTER LIFE.



Picture may differ from original product

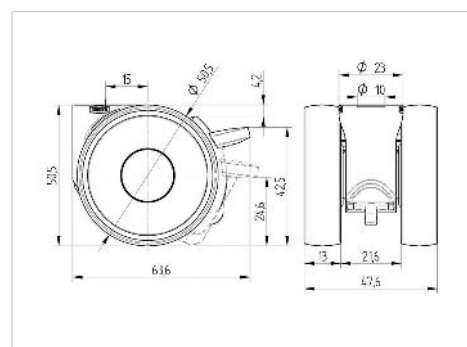
### Technical Data

Wheel diameter	50 mm
Wheel width	12 mm
Castor width	47 mm
Centre hole	10 mm
Dome-Ø	23 mm
Offset	15 mm
Swivel Interference	104 mm
Overall height	50.5 mm
Temperature	- 20 / + 60 °C
Standard	EN 12530
Weight	0.103 kg
Swivel Radius	52 mm
Hardness of tread	Shore A 92
Load capacity	100 kg
Load capacity (static)	200 kg

### Advantages at a glance

Roll performance	● ● ● ● ●
Movement noise	● ● ● ● ○
Attrition	● ● ● ● ●
Corrosion resistance	● ● ● ● ○

### Dimensions



### Structure & Mounting

