

COMPACTA

1430PJI025P60-35x30

EAN 4031582456516

Swivel castor, housing made of pressed steel, bright zinc plated, blue passivated, single ball race swivel head, axle riveted, plate fitting. Wheel centre made of Polypropylene, Tread: TENTEprene (thermoplastic rubber), grey non-marking, plain bearing



BETTER MOBILITY. BETTER LIFE.

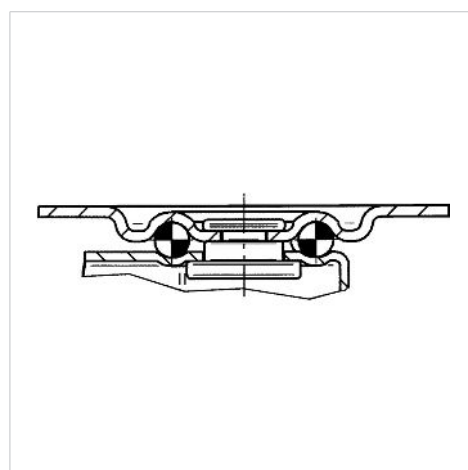


Picture may differ from original product

Technical Data

Wheel diameter	25 mm
Wheel width	12 mm
Size of Plate	35 x 30 mm
Plate hole centres	23 x 28 mm
Plate hole	4.2 mm
Offset	7.5 mm
Swivel Interference	45 mm
Overall height	35 mm
Temperature	- 20 / + 60 °C
Standard	EN 12528
Weight	0.071 kg
Swivel Radius	22.5 mm
Hardness of tread	Shore A 75
Load capacity	10 kg
Load capacity (static)	20 kg

Structure & Mounting



Advantages at a glance

Roll performance	● ● ● ○ ○
Movement noise	● ● ● ○ ○
Attrition	● ● ● ○ ○
Corrosion resistance	● ● ● ○ ○